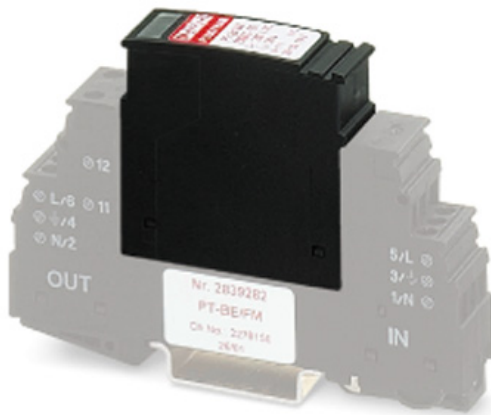


Please note that the data given here has been taken from the online catalog. For comprehensive information and data, please refer to the user documentation at <http://www.download.phoenixcontact.com>. The General Terms and Conditions of Use apply to Internet downloads.

▶ Extract from the online catalog



Protective plug PT with protective circuit for higher signal voltages, 2-channel, visual fault warning. Nominal voltage: 120 V AC

The illustration shows the version PT 2x1 VA- 60 AC-ST

Order No.	2839185
Ord designation	PT 2X1VA-120AC-ST
EAN	4017918182847
Pack	10 Pcs.
Customs tariff	85363010
Catalog page information	Page 57 (TT-2005)

▶ Technical data

Standards

Housing material	PA
Inflammability class acc. to UL 94	V0
Color	black
Degree of protection	IP20
Design	DIN rail module, two-section, divisible
Mounting type	On base element
Direction of action	Ader-Ader & Ader-Erde

Protective circuit

Nominal voltage U_N	120 V AC
Max. operating voltage U_{max}	150 V AC
Nominal current I_N	20 A
Nominal discharge surge current I_n (8/20) μ s	2.5 kA
Lightning test current (10/350) μ s, peak value I_{imp}	2.5 kA
Output voltage limitation at 1 kV/ μ s (L-PE) spike	≤ 380 V
Output voltage limitation at 1 kV/ μ s (L-PE) static	≤ 600 V
Message surge protection faulty	Optical, remote indicator contact

Non-heating apparatus connection, power supply

Type of connection	PLUGTRAB plug-in system
Connection type IN	PLUGTRAB plug-in system
Connection type OUT	PLUGTRAB plug-in system
Tightening torque, min	0.5 Nm

Remote indicator contact

Switching function	Öffner
--------------------	--------

► **Certificates**

CUL

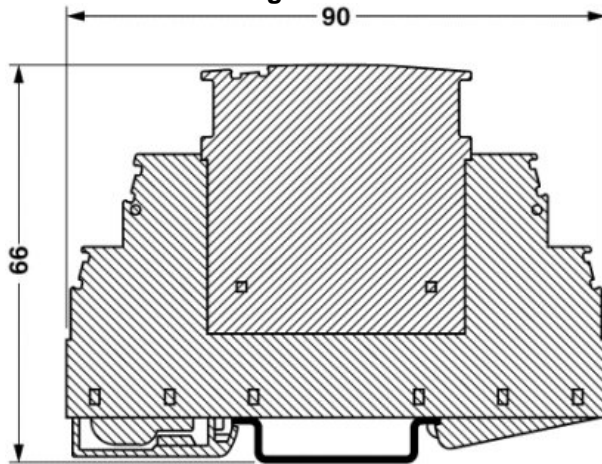
Nominal voltage U_N	120 V
Nominal current I_N	20 A

UL

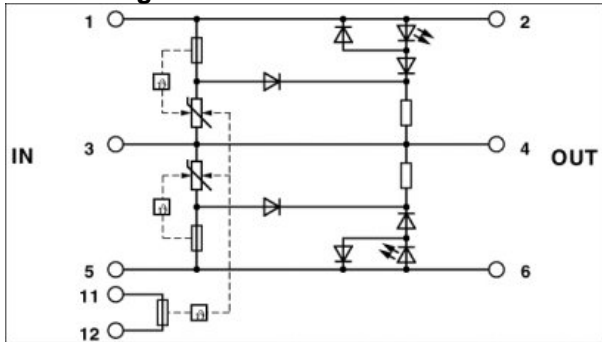
Nominal voltage U_N	120 V
Nominal current I_N	20 A

► Drawings

Dimensioned drawing



Circuit diagram



Approval logo



► Accessories

Item	Designation	Description
Marking		
1051993	B-STIFT	Marker pen, for manual labeling of unprinted Zack strips, smear-proof and waterproof, line thickness 0.5 mm
0811228	X-PEN 0,35	
1050004	ZB 5 :UNBEDRUCKT	Zack strip, unprinted, 10-section, for individual labeling with M-PEN, ZB-T or CMS system, pack is sufficient for 100 terminal blocks, for a terminal width of 5.02 mm, color: White
2715212	ZB 5,8,LGS:FORTL.ZAHLEN	Zack marker strip, 10-section, printed horizontally: with consecutive numbers, 1-10, 11-20 etc. up to 991-1000, color: white
1050305	ZB 5,8:SO/CMS	Zack strip, 10-section, divisible, special printing, marking according to customer requirements
2715209	ZB 5,8:UNBEDRUCKT	Zack strip, unprinted, strips with 10 labels for individual labeling with M-PEN or CMS system, for terminal block width: 5.8 mm, color: White
1050295	ZB 5:SO/CMS	Zack strip, 10-section, divisible, special printing, marking according to customer requirements
0808642	ZBF 5:UNBEDRUCKT	Zack strip, flat, unprinted: 10-section, for individual labeling with M-PEN or ZBF-T, sufficient for 100 terminal blocks, color: white

► Additional products

Item	Designation	Description
Assembly		
2839295	SSA 3-6	Shield fast connection for diameter 3-6 mm
2839512	SSA 5-10	Shield fast connection for diameter 5 -10 mm



► **Address**

PHOENIX CONTACT Inc., USA
586 Fulling Mill Road
Middletown, PA 17057
USA
Phone (800) 888-7388
Fax (717) 944-1625
<http://www.phoenixcon.com>
Phoenix Contact
Technical modifications reserved;